

TECHNICAL PARAMETER

Forged Brass ball valve

two pieces market VB, Nickel finished, PN40, Secure gland nut,
NPT thread, PTFE seats, Full port,
with lever handle cover with yellow plastic cover marked Valvi Brescia, long body 7 threads.

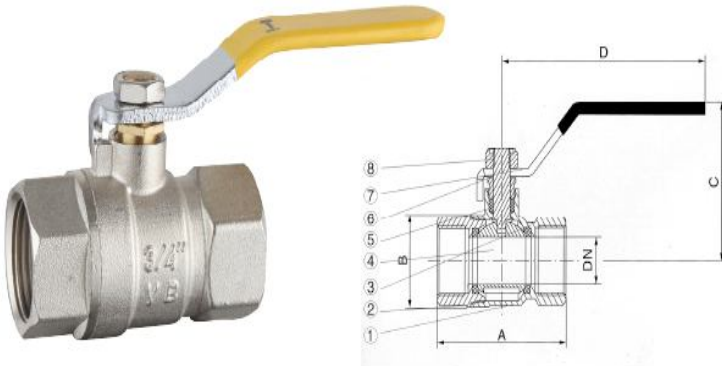
1. 2-Piece ,Forged brass body full port
2. Heavy duty rust resistant handle with grip
3. Packing gland and O-ring on stem is reliable seal mode
4. Threaded ends(1/2"TO4"),600WOG,150 SWP
5. Forged Brass ball valve conform 35,Type Class A,Stype 3 and MSS SP-100.
6. -20°C to 65°C (-4°F to 149°F). temperature range
7. Forged Brass ball valve Material: Leaded brass C37700
8. Forged Brass ball valve through the Certification: CE, ISO9001 certificate .

BT.1014

BRASS BALL VALVE



www.bote-valve.com



NO	PART	MATERIAL
1	BODY	BRASS
2	BONNET	BRASS
3	BALL SEAT	PTFE
4	BALL	BRASS
5	STEM	BRASS
6	PRESS NUT	BRASS
7	HANDLE	STEEL
8	NUT	STEEL

SIZE	1/4"	3/8"	1/2"	3/4"	1"	1 1/4"	1 1/2"	2"	2 1/2"	3"	4"
A	43	43	55	61.4	67.6	78	88	103	132	152	178
B	23	23	29	35.5	43	53	62.5	79	102.5	120.5	144.5
C	39.2	39.8	57	60	62	80	85	94	121.5	129.5	141
D	87	87	95	95	126	140	140	165	224	224	283.5
DN	9	10	13	18	23	29.2	36	45.5	62	74	90