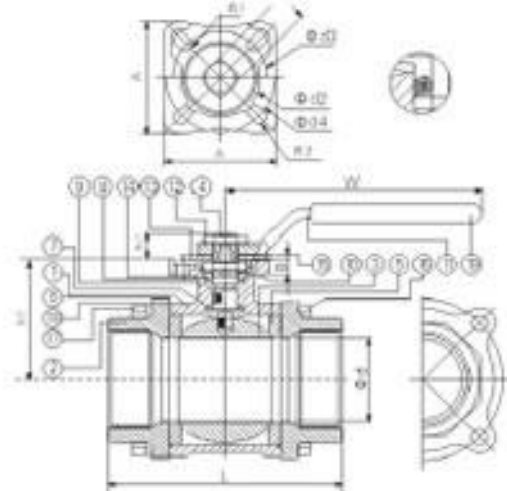


## 3PC HIGH MOUNTING PAD SCREWED BALL VALVE



### Material List

ITEM	Parts	Material	
1	Body	CF8	CF8M
2	Cap	CF8	CF8M
3	Ball	CF8	CF8M
4	Stem	CF8	CF8M
5	Seat	RTFE	
6	Seat	PTFE	
7	Thrust washer	PTFE	
8	Packing	VITON	
9	O-ring	SS301	
10	Belleville washer	SS301	
11	Handle	CF8	CF8M
12	Stem nut	SS304	
13	Locking device		
14	Gland ring		
15	Locking washer		
16	Bolt		
17	Nut		
18	Spring washer		
19	Handle sleeve	PVC	

### Dimension List

DN	d	L	W	ISO/DIN	A	B	S	h1	h2	d2	d3	d4	R1	R2	Torque (N-m)	
															Action	Breakaway
8	8	55	120	F03/F04	42	6.5	9	8	40.3	31	36	42	2.75	2.75	2.47	3.64
10	10	60	120					9	45						4	6.11
15	15	75	120					10	47.5						4.29	9.88
20	20	80	120	F04/F05	50	7.5	11	11	55.5	35.5	42	50	2.75	3.5	11.7	15.6
25	25	90	148					12	65.3						14	22
32	32	110	148					11	55.5						19	26.78
40	38	120	178	F05/F07	70	9	14	12	65.3	56	50	78	3.5	4.5	14	22
50	50	140	178					73	19						26.78	

NPS	d	L	W	ISO 5211	A	B	S	h1	h2	d2	d3	d4	R1	R2	Torque (in-lb)	
															Action	Breakaway
1/4"	0.31	2.17	4.72	F03/F04	1.65	0.26	0.35	0.31	1.59	1.22	1.42	1.65	0.11	0.11	21.9	32.2
3/8"	0.39	2.36	4.72					0.35	1.77						35.4	54.1
1/2"	0.59	2.95	4.72					0.39	1.87						38	87.4
3/4"	0.79	3.15	4.72	F04/F05	1.97	0.3	0.43	0.43	2.19	1.4	1.65	1.97	0.11	0.14	103.6	138.1
1"	0.98	3.54	5.83					2.57	2.57						123.9	193.7
1 1/4"	1.26	4.33	5.83					2.87	2.87						168.2	237
1 1/2"	1.5	4.72	7.01	F05/F07	2.76	0.35	0.55	0.47	2.87	2.2	1.97	2.76	0.14	0.18	123.9	193.7
2"	1.97	5.51	7.01					2.87	2.87						168.2	237